

Pressure gauge with diaphragm Industry version with or without filling

Nominal size ND 100 , 160
Accuracy class 1,6 and 2,5

according to DIN EN 837-3

Features

High resistance to overpressure
Robust stainless steel case
Highly suitable for extremely viscous or crystallizing media

Applications

Food and beverage industries,
Mechanical engineering, plant and
apparatus construction



Version	with glycerine filling			
Model and ND	121.1.100. ...	121.1.160. ...	123.1.100. ...	123.1.160. ...
Connection	bottom			
Accuracy class	1,6, ranges under 600 mbar with filling only Kl. 2,5			
Ranges	in mbar	0...10, 16, 25, 40, 60, 100, 160, 250		
	in bar	0...0,4, 0,6, 1, 1,6, 2,5, 4, 6, 10, 16, 25		
	in bar	-0,6 / 0, -1 / 0, -1 / +0,6, -1 / +1,5, -1 / +3, -1 / +5, -1 / +9, -1 / +15		
Application	Constant load full scale value Alternating load 0,9 x full scale value Overload protection 1,3 x full scale value short time			
Case	CrNi steel	Steel black	CrNi steel	
Bezel	CrNi steel	Steel black	CrNi steel	
Window	Glas lens			Laminated safety glass
Dial	Aluminium white, scale black			
Pointer	Aluminium, black			
Movement	Copper alloy ,bearing parts nickel silver			
Flangediameter	160 mm up to 250 mbar, 100 mm from 0,4 bar			
Measuring element	CrNi steel, from 2,5 bar Duratherm 600			
Lower flange	SW 22, Steel zincing			
Connection	G 1/2 B and DIN-flange DN 15, 20, 25 and 50, for all PN 40			
Protection	IP 54 according to EN 60529 / IEC 529		IP 54 according to EN 60529 / IEC 529	
Temperatures	Medium: -20°C to 100°C, Ambient: -25°C to 60°C			

Model 121.1.100. ... = ND 100, dry; Model 121.1.100. ... = ND 100, glycerine filled

Model 121.1.160. ... = ND 160, dry; Model 123.1.160. ... = ND 160, glycerine filled

Архангельск (8182)63-90-72
Астана (7172)727-132
Астрахань (8512)99-46-04
Барнаул (3852)73-04-60
Белгород (4722)40-23-64
Брянск (4832)59-03-52
Владивосток (423)249-28-31
Волгоград (844)278-03-48
Вологда (8172)26-41-59
Воронеж (473)204-51-73
Екатеринбург (343)384-55-89
Иваново (4932)77-34-06

Ижевск (3412)26-03-58
Иркутск (395)279-98-46
Казань (843)206-01-48
Калининград (4012)72-03-81
Калуга (4842)92-23-67
Кемерово (3842)65-04-62
Киров (8332)68-02-04
Краснодар (861)203-40-90
Красноярск (391)204-63-61
Курск (4712)77-13-04
Липецк (4742)52-20-81

Магнитогорск (3519)55-03-13
Москва (495)268-04-70
Мурманск (8152)59-64-93
Набережные Челны (8552)20-53-41
Нижний Новгород (831)429-08-12
Новокузнецк (3843)20-46-81
Новосибирск (383)227-86-73
Омск (3812)21-46-40
Орел (4862)44-53-42
Оренбург (3532)37-68-04
Пенза (8412)22-31-16

Пермь (342)205-81-47
Ростов-на-Дону (863)308-18-15
Рязань (4912)46-61-64
Самара (846)206-03-16
Санкт-Петербург (812)309-46-40
Саратов (845)249-38-78
Севастополь (8692)22-31-93
Симферополь (3652)67-13-56
Смоленск (4812)29-41-54
Сочи (862)225-72-31
Ставрополь (8652)20-65-13

Сургут (3462)77-98-35
Тверь (4822)63-31-35
Томск (3822)98-41-53
Тула (4872)74-02-29
Тюмень (3452)66-21-18
Ульяновск (8422)24-23-59
Уфа (347)229-48-12
Хабаровск (4212)92-98-04
Челябинск (351)202-03-61
Череповец (8202)49-02-64
Ярославль (4852)69-52-93

Киргизия (996)312-96-26-47

Россия (495)268-04-70

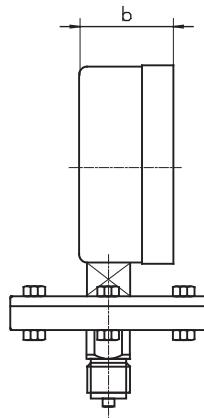
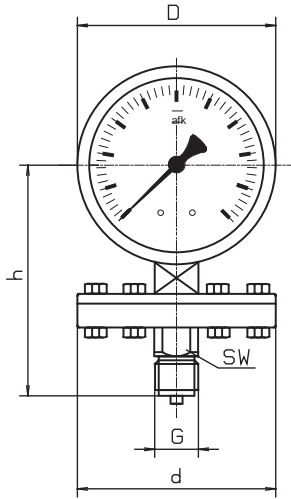
Казахстан (772)734-952-31

121
123

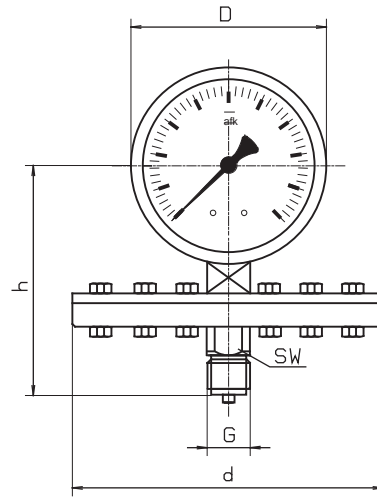
Diaphragm Pressure Gauge - Industrial Execution
DS 100 and DS 160, dry or glycerine filled

Dimensions

Flange 100 mm



Flange 160 mm



Flange according to DIN

DN 25

Flange 100 mm

DN 50

Flange 160 mm
DN 50

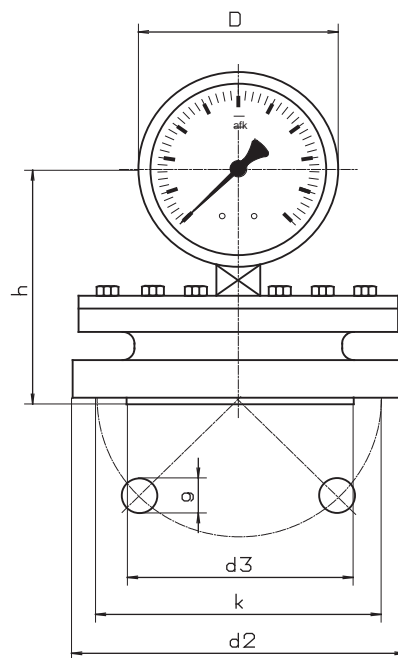
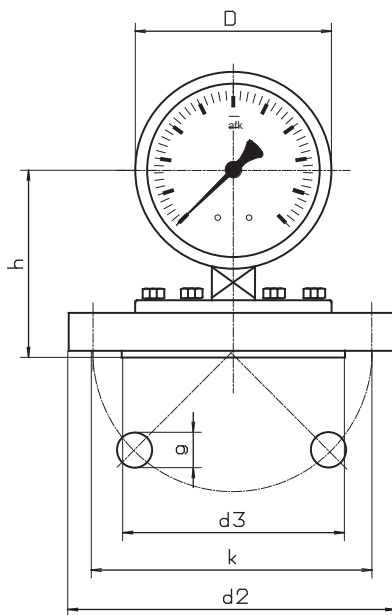
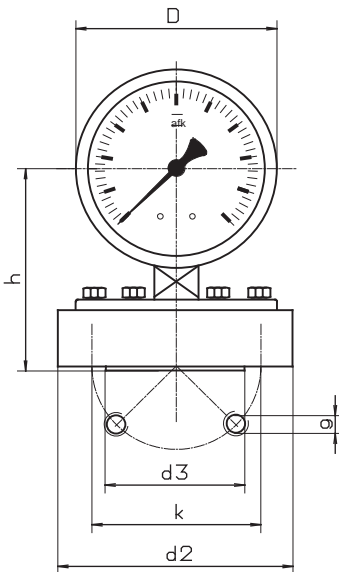


Table of dimensions for diaphragm pressure gauges

Dimensions for gauge with threaded connection with diaphragm flange 100 mm (from 600 mbar)

Type 121.1.xxx. with glycerine filling = Type 123.1.xxx. ...
Type 128.1.xxx. with glycerine filling = Type 328.1.xxx. ...

Type KMP-XX = Diaphragm pressure gauge with electric contact

Dimensions in mm										Weight	
Typ	NG	D	b	d		h		SW	G	dry	glyc.filled
121.1.100. ...	100	101	49	100		115		22	G 1/2 B	1,4 kg	1,8 kg
121.1.160. ...	160	160	51	100		145		22	G 1/2 B	1,9 kg	3,0 kg
128.1.100. ...	100	101	49	100		115		22	G 1/2 B	1,4 kg	1,8 kg
128.1.160. ...	160	160	51	100		145		22	G 1/2 B	1,9 kg	3,0 kg
Typ	NG	D	b	d	c	h	l	SW	G	dry	glyc.filled
KMP-20	100	101	49	100	88	115	88	22	G 1/2 B	1,6 kg	2,0 kg
KMP-20	160	160	51	100	107	145	120	22	G 1/2 B	2,2 kg	3,3 kg
KMP-30	100	101	49	100	88	115	88	22	G 1/2 B	1,6 kg	2,0 kg
KMP-30	160	160	51	100	107	145	120	22	G 1/2 B	2,2 kg	3,3 kg

Dimensions for gauge with threaded connection with diaphragm flange 160 mm (up to 400 mbar)

Type 121.1.xxx. with glycerine filling = Type 123.1.xxx. ...
Type 128.1.xxx. with glycerine filling = Type 328.1.xxx. ...

Type KMP-XX = Diaphragm pressure gauge with electric contact

Dimensions in mm										Weight	
Typ	NG	D	b	d		h		SW	G	dry	glyc.filled
121.1.100. ...	100	101	49	160		115		22	G 1/2 B	2,4 kg	2,8 kg
121.1.160. ...	160	160	51	160		145		22	G 1/2 B	2,9 kg	4,0 kg
128.1.100. ...	100	101	49	160		115		22	G 1/2 B	2,4 kg	2,8 kg
128.1.160. ...	160	160	51	160		145		22	G 1/2 B	2,9 kg	4,0 kg
Typ	NG	D	b	d	c	h	l	SW	G	dry	glyc.filled
KMP-20	100	101	49	160	88	115	88	22	G 1/2 B	2,6 kg	3,0 kg
KMP-20	160	160	51	160	107	145	120	22	G 1/2 B	3,2 kg	4,3 kg
KMP-30	100	101	49	160	88	115	88	22	G 1/2 B	2,6 kg	3,0 kg
KMP-30	160	160	51	160	107	145	120	22	G 1/2 B	3,2 kg	4,3 kg

Dimensions for gauge with DIN flange connection with diaphragm flange 100 mm (from 600 mbar)

Dimensions in mm								Weight	
DIN flange	d	d2	d3	h - NG 100	h - NG 160	k	g	NG 100	NG 160
DN 15	100	100	45	100	130	65	4 x M12	2,7 kg	3,2 kg
DN 20	100	105	58	100	130	75	4 x M12	2,7 kg	3,2 kg
DN 25	100	115	68	100	130	85	4 x M12	2,7 kg	3,2 kg
DN 50	100	165	102	92	92	125	4 x Dm. 18	3,2 kg	3,7 kg

Dimensions for gauge with DIN flange connection with diaphragm flange 160 mm (up to 400 mbar)

Dimensions in mm								Weight	
DIN flange	d	d2	d3	h - NG 100	h - NG 160	k	g	NG 100	NG 160
DN 15	160	100	45	120	150	65	4 x M12	4,7 kg	5,2 kg
DN 20	160	105	58	120	150	75	4 x M12	4,7 kg	5,2 kg
DN 25	160	115	68	120	150	85	4 x M12	4,7 kg	5,2 kg
DN 50	160	165	102	120	150	125	4 x Dm. 18	5,8 kg	6,3 kg

Pressure gauges with diaphragm Stainless steel , with or without filling

Nominal size ND 100 , 160
Accuracy class 1,6 and 2,5

according to DIN EN 837-3



Features

High resistance to overpressure
High corrosion resistance with chemically aggressive media and environments
Damping of the indicator by glycerine filling

Applications

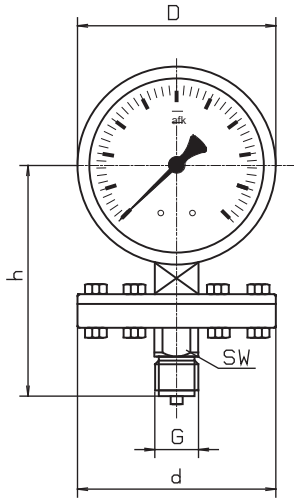
Chemical and petrochemical industry
Food and beverage industry
Mechanical engineering ,plant and apparatus construction

Version	with glycerin filling			
Model and ND	128.1.100	128.1.160.	328.1.100.	328.1.160.
Connection	bottom			
Accuracy class	1,6, Ranges < 400 mbar with glycerine filling 2,5			
Ranges in mbar	0...10, 16, 25, 40, 60, 100, 160, 250		0...40, 60, 100, 160, 250	
in bar	0...0,4, 0,6, 1, 1,6, 2,5, 4, 6, 10, 16, 25			
in bar	-0,6 / 0, -1 / 0, -1 / +0,6, -1 / +1,5, -1 / +3, -1 / +5, -1 / +9, -1 / +15			
Application	Constant load full scale value Alternating load 0,9 x full scale value Overload protection 1,3 x full scale value short time			
Case	CrNi steel			
Bezel	CrNi steel			
Window	Laminated safety glass			
Dial	Aluminium white, scale black			
Pointer	Aluminium, black			
Movement	CrNi steel			
Flangediameter	160 mm up to 250 mbar, 100 mm from 0,4 bar			
Measuring element	CrNi steel , from 2,5 bar Duratherm 600			
Lower flange	SW 22, CrNi steel			
Connection	G 1/2 B and DIN-flange DN 15, 20, 25 and 50, for all PN 40			
Protection	IP 54 according to EN 60529 / IEC 529		IP 65 according to EN 60529 / IEC 529	
Temperatures	Medium: -20°C to 100°C, Ambient: -25°C to 60°C			

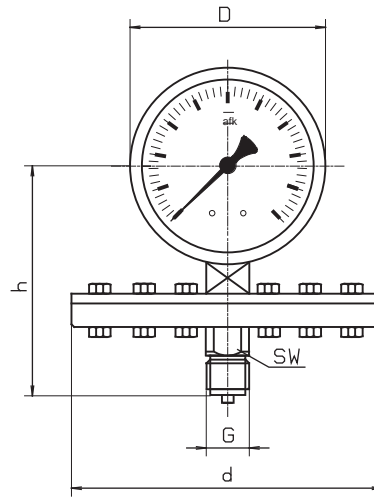
Model 128.1.100. ... = ND 100, dry; Model 328.1.100. ... = ND 100, glycerine filled
Model 128.1.160. ... = ND 160, dry; Model 328.1.160. ... = ND 160, glycerine filled

Dimensions

Flange 100 mm



Flange 160 mm



Flange according to DIN

DN 25

Flange 100 mm

DN 50

**Flange 160 mm
DN 50**

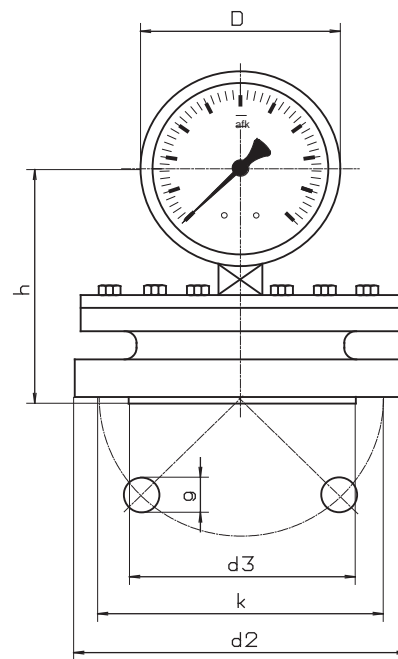
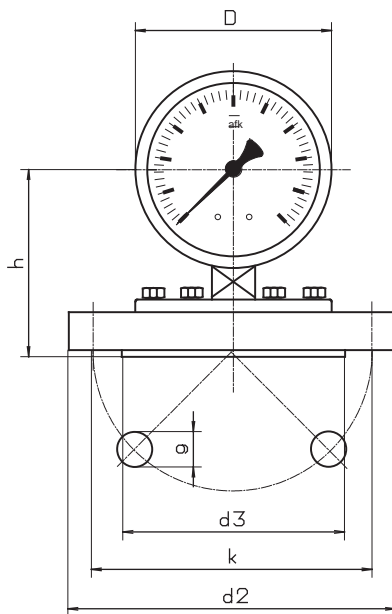
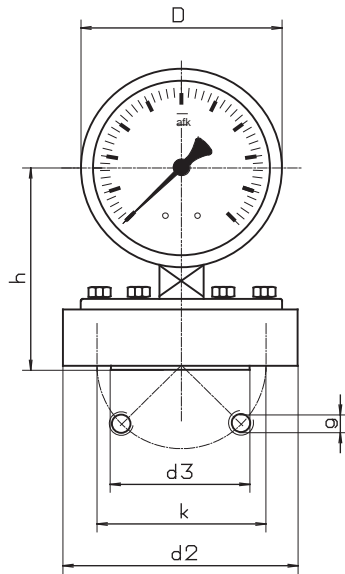


Table of dimensions for diaphragm pressure gauges

Dimensions for gauge with threaded connection with diaphragm flange 100 mm (from 600 mbar)

Type 121.1.xxx. with glycerine filling = Type 123.1.xxx. ...
Type 128.1.xxx. with glycerine filling = Type 328.1.xxx. ...
Type KMP-XX = Diaphragm pressure gauge with electric contact

Dimensions in mm										Weight	
Typ	NG	D	b	d		h		SW	G	dry	glyc.filled
121.1.100. ...	100	101	49	100		115		22	G 1/2 B	1,4 kg	1,8 kg
121.1.160. ...	160	160	51	100		145		22	G 1/2 B	1,9 kg	3,0 kg
128.1.100. ...	100	101	49	100		115		22	G 1/2 B	1,4 kg	1,8 kg
128.1.160. ...	160	160	51	100		145		22	G 1/2 B	1,9 kg	3,0 kg
Typ	NG	D	b	d	c	h	l	SW	G	dry	glyc.filled
KMP-20	100	101	49	100	88	115	88	22	G 1/2 B	1,6 kg	2,0 kg
KMP-20	160	160	51	100	107	145	120	22	G 1/2 B	2,2 kg	3,3 kg
KMP-30	100	101	49	100	88	115	88	22	G 1/2 B	1,6 kg	2,0 kg
KMP-30	160	160	51	100	107	145	120	22	G 1/2 B	2,2 kg	3,3 kg

Dimensions for gauge with threaded connection with diaphragm flange 160 mm (up to 400 mbar)

Type 121.1.xxx. with glycerine filling = Type 123.1.xxx. ...
Type 128.1.xxx. with glycerine filling = Type 328.1.xxx. ...
Type KMP-XX = Diaphragm pressure gauge with electric contact

Dimensions in mm										Weight	
Typ	NG	D	b	d		h		SW	G	dry	glyc.filled
121.1.100. ...	100	101	49	160		115		22	G 1/2 B	2,4 kg	2,8 kg
121.1.160. ...	160	160	51	160		145		22	G 1/2 B	2,9 kg	4,0 kg
128.1.100. ...	100	101	49	160		115		22	G 1/2 B	2,4 kg	2,8 kg
128.1.160. ...	160	160	51	160		145		22	G 1/2 B	2,9 kg	4,0 kg
Typ	NG	D	b	d	c	h	l	SW	G	dry	glyc.filled
KMP-20	100	101	49	160	88	115	88	22	G 1/2 B	2,6 kg	3,0 kg
KMP-20	160	160	51	160	107	145	120	22	G 1/2 B	3,2 kg	4,3 kg
KMP-30	100	101	49	160	88	115	88	22	G 1/2 B	2,6 kg	3,0 kg
KMP-30	160	160	51	160	107	145	120	22	G 1/2 B	3,2 kg	4,3 kg

Dimensions for gauge with DIN flange connection with diaphragm flange 100 mm (from 600 mbar)

Dimensions in mm									Weight	
DIN flange	d	d2	d3	h - NG 100	h - NG 160	k	g		NG 100	NG 160
DN 15	100	100	45	100	130	65	4 x M12		2,7 kg	3,2 kg
DN 20	100	105	58	100	130	75	4 x M12		2,7 kg	3,2 kg
DN 25	100	115	68	100	130	85	4 x M12		2,7 kg	3,2 kg
DN 50	100	165	102	92	92	125	4 x Dm. 18		3,2 kg	3,7 kg

Dimensions for gauge with DIN flange connection with diaphragm flange 160 mm (up to 400 mbar)

Dimensions in mm									Weight	
DIN flange	d	d2	d3	h - NG 100	h - NG 160	k	g		NG 100	NG 160
DN 15	160	100	45	120	150	65	4 x M12		4,7 kg	5,2 kg
DN 20	160	105	58	120	150	75	4 x M12		4,7 kg	5,2 kg
DN 25	160	115	68	120	150	85	4 x M12		4,7 kg	5,2 kg
DN 50	160	165	102	120	150	125	4 x Dm. 18		5,8 kg	6,3 kg

Архангельск (8182)63-90-72
Астана (7172)727-132
Астрахань (8512)99-46-04
Барнаул (3852)73-04-60
Белгород (4722)40-23-64
Брянск (4832)59-03-52
Владивосток (423)249-28-31
Волгоград (844)278-03-48
Вологда (8172)26-41-59
Воронеж (473)204-51-73
Екатеринбург (343)384-55-89
Иваново (4932)77-34-06

Ижевск (3412)26-03-58
Иркутск (395)279-98-46
Казань (843)206-01-48
Калининград (4012)72-03-81
Калуга (4842)92-23-67
Кемерово (3842)65-04-62
Киров (8332)68-02-04
Краснодар (861)203-40-90
Красноярск (391)204-63-61
Курск (4712)77-13-04
Липецк (4742)52-20-81

Киргизия (996)312-96-26-47

Магнитогорск (3519)55-03-13
Москва (495)268-04-70
Мурманск (8152)59-64-93
Набережные Челны (8552)20-53-41
Нижний Новгород (831)429-08-12
Новокузнецк (3843)20-46-81
Новосибирск (383)227-86-73
Омск (3812)21-46-40
Орел (4862)44-53-42
Оренбург (3532)37-68-04
Пенза (8412)22-31-16

Россия (495)268-04-70

Пермь (342)205-81-47
Ростов-на-Дону (863)308-18-15
Рязань (4912)46-61-64
Самара (846)206-03-16
Санкт-Петербург (812)309-46-40
Саратов (845)249-38-78
Севастополь (8692)22-31-93
Симферополь (3652)67-13-56
Смоленск (4812)29-41-54
Сочи (862)225-72-31
Ставрополь (8652)20-65-13

Казахстан (772)734-952-31

Сургут (3462)77-98-35
Тверь (4822)63-31-35
Томск (3822)98-41-53
Тула (4872)74-02-29
Тюмень (3452)66-21-18
Ульяновск (8422)24-23-59
Уфа (347)229-48-12
Хабаровск (4212)92-98-04
Челябинск (351)202-03-61
Череповец (8202)49-02-64
Ярославль (4852)69-52-93