

Архангельск (8182)63-90-72
Астана (7172)727-132
Астрахань (8512)99-46-04
Барнаул (3852)73-04-60
Белгород (4722)40-23-64
Брянск (4832)59-03-52
Владивосток (423)249-28-31
Волгоград (844)278-03-48
Вологда (8172)26-41-59
Воронеж (473)204-51-73
Екатеринбург (343)384-55-89
Иваново (4932)77-34-06

Ижевск (3412)26-03-58
Иркутск (395)279-98-46
Казань (843)206-01-48
Калининград (4012)72-03-81
Калуга (4842)92-23-67
Кемерово (3842)65-04-62
Киров (8332)68-02-04
Краснодар (861)203-40-90
Красноярск (391)204-63-61
Курск (4712)77-13-04
Липецк (4742)52-20-81

Магнитогорск (3519)55-03-13
Москва (495)268-04-70
Мурманск (8152)59-64-93
Набережные Челны (8552)20-53-41
Нижний Новгород (831)429-08-12
Новокузнецк (3843)20-46-81
Новосибирск (383)227-86-73
Омск (3812)21-46-40
Орел (4862)44-53-42
Оренбург (3532)37-68-04
Пенза (8412)22-31-16

Пермь (342)205-81-47
Ростов-на-Дону (863)308-18-15
Рязань (4912)46-61-64
Самара (846)206-03-16
Санкт-Петербург (812)309-46-40
Саратов (845)249-38-78
Севастополь (8692)22-31-93
Симферополь (3652)67-13-56
Смоленск (4812)29-41-54
Сочи (862)225-72-31
Ставрополь (8652)20-65-13

Сургут (3462)77-98-35
Тверь (4822)63-31-35
Томск (3822)98-41-53
Тула (4872)74-02-29
Тюмень (3452)66-21-18
Ульяновск (8422)24-23-59
Уфа (347)229-48-12
Хабаровск (4212)92-98-04
Челябинск (351)202-03-61
Череповец (8202)49-02-64
Ярославль (4852)69-52-93

Киргизия (996)312-96-26-47

Россия (495)268-04-70

Казахстан (772)734-952-31

<https://leitenberger.nt-rt.ru/> || bge@nt-rt.ru

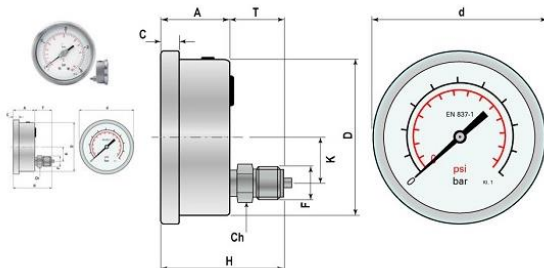
COOLING MANOMETER

Pressure is the result of a force acting on a surface. The magnitude of the pressure on the reference surface results exclusively from the force component perpendicular to the surface. The pressure gauges are available with different measuring ranges, in different measuring units and in different materials. The measuring range is divided into bar and PSI and scales are printed for all common types of refrigerant. Combinations of the desired refrigerants can be made on customer request. Different types of connections and fastenings can be selected optionally.

Selectable:

- Diameter of the pressure gauge
- Housing material
- Material of the interior / connection
- Thread size
- Mounting options
- accuracy
- Customer options:
- Your logo
- Combination of refrigerant scales
- Now also available with R 452A - the ozone-free refrigerant with significantly improved environmental properties

PRESSURE GAUGE AMMONIA (NH3) M10NH3H



DESCRIPTION

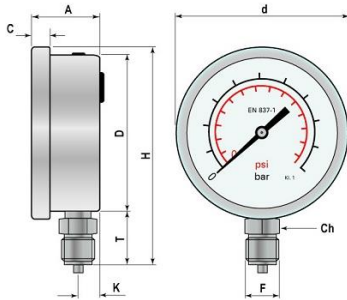
- 4" NH3 - Pressure Gauge all stainless steel construction Type P back connection, G 1/2"
- socket: AISI 316L
- elastic element: AISI 316L
- accuracy: class 1.0
- ranges:
 - bar NH3
 - 1/+ 9 bar -70/+25° C
 - 1/+15 bar -70/+40° C
 - 1/+24 bar -70/+56° C

- options:
- glycerine filled
- other connectors

TABLE

Type	F	A	C	D	d	H	T	K	Ch
M10NH3H	1/2"	48	12,5	100	110,5	90	42	30	22

PRESSURE GAUGE AMMONIA (NH3) M10NH3U



M10NH3U

DESCRIPTION

- 4" NH3 - Pressure Gauge all stainless steel construction Type R bottom connection, G 1/2"
- socket: AISI 316L
- elastic element: AISI 316L
- accuracy: class 1.0
- ranges:
 - bar NH3
 - 1/+ 9 bar -70/+25° C
 - 1/+15 bar -70/+40° C
 - 1/+24 bar -70/+56° C

- options:
- glycerine filled
- other connectors

TABLE

Type	F	A	C	D	d
M10NH3U	1/2"	48	12,5	100	110,5

PRESSURE GAUGES MG6F/MG8F/MG1F



MG6F/MG8F/MG1F

DESCRIPTION

High and low pressure gauges front panel mounting

- pressure scale: bar / psi
- accuracy: class 1.6
- housing: INOX
- connection: brass, back connection
- thread: 1/4 SAE, 1/8 NPT or 1/2 BSP
- glycerine filled
- coloured scale for different refrigerants

PRESSURE GAUGES MG6H/MG8H/MG1H



MG6H/MG8H/MG1H

DESCRIPTION

High and low pressure gauges surface mounting with back flange

- pressure scale: bar / psi
- housing: INOX
- thread: 1/4 SAE, 1/8 NPT or 1/2 BSP
- window: plexiglass
- connection: brass, bottom
- glycerine filled
- coloured scale for different refrigerants

PRESSURE GAUGES MB / MR



MB / MR (-)

DESCRIPTION

High- and Low-pressure gauges dry, pulsfree

- Pressure scale: bar/psi
- Accuracy: Class 1.6
- Housing: Steel sheet, covered blue or red
- Connection: brass, radial or axial
- Thread: 1/4 SAE or 1/8 NPT

options:

- low pressure blue - high pressure red
- coloured scale for different refrigerants

TABLE

Type	NG	A	C	D	F	G	H	K	SW
MB618/MR638	63	28	6	68,3	13	1/4 SAE	91	9	14
MB818/MR818	80	29	6,3	86	10	1/8 NPT	105	9	14

PRESSURE GAUGES MX



MX

DESCRIPTION

High- and Low-pressure gauges dry, pulsfree

- pressure scale: bar / psi
- accuracy: class 1.6
- housing: steel sheet, covered black
- connection: brass, axial
- thread: 1/4 SAE or 1/8 NPT
- coloured scale for different refrigerants

Архангельск (8182)63-90-72
Астана (7172)727-132
Астрахань (8512)99-46-04
Барнаул (3852)73-04-60
Белгород (4722)40-23-64
Брянск (4832)59-03-52
Владивосток (423)249-28-31
Волгоград (844)278-03-48
Вологда (8172)26-41-59
Воронеж (473)204-51-73
Екатеринбург (343)384-55-89
Иваново (4932)77-34-06

Ижевск (3412)26-03-58
Иркутск (395)279-98-46
Казань (843)206-01-48
Калининград (4012)72-03-81
Калуга (4842)92-23-67
Кемерово (3842)65-04-62
Киров (8332)68-02-04
Краснодар (861)203-40-90
Красноярск (391)204-63-61
Курск (4712)77-13-04
Липецк (4742)52-20-81

Магнитогорск (3519)55-03-13
Москва (495)268-04-70
Мурманск (8152)59-64-93
Набережные Челны (8552)20-53-41
Нижний Новгород (831)429-08-12
Новокузнецк (3843)20-46-81
Новосибирск (383)227-86-73
Омск (3812)21-46-40
Орел (4862)44-53-42
Оренбург (3532)37-68-04
Пенза (8412)22-31-16

Пермь (342)205-81-47
Ростов-на-Дону (863)308-18-15
Рязань (4912)46-61-64
Самара (846)206-03-16
Санкт-Петербург (812)309-46-40
Саратов (845)249-38-78
Севастополь (8692)22-31-93
Симферополь (3652)67-13-56
Смоленск (4812)29-41-54
Сочи (862)225-72-31
Ставрополь (8652)20-65-13

Сургут (3462)77-98-35
Тверь (4822)63-31-35
Томск (3822)98-41-53
Тула (4872)74-02-29
Тюмень (3452)66-21-18
Ульяновск (8422)24-23-59
Уфа (347)229-48-12
Хабаровск (4212)92-98-04
Челябинск (351)202-03-61
Череповец (8202)49-02-64
Ярославль (4852)69-52-93

Киргизия (996)312-96-26-47

Россия (495)268-04-70

Казахстан (772)734-952-31

<https://leitenberger.nt-rt.ru/> || bge@nt-rt.ru