

Pressure Test Pump LR-Cal LPP 08, pneumatic operated**Generating pressure up to +8 bar (116 psi), switchable to generating vacuum down to -0,85 bar (-25 inHg)**

The pressure test pump **LR-Cal LPP 08** is used to generate pressure and vacuum for checking, adjusting and calibrating mechanical and electronic pressure measuring instruments by comparative measurements in the low-pressure and vacuum range. There pressure tests may be carried out in laboratories, workshops or on site at the measuring point.

If the instrument to be tested and a sufficiently accurate reference measuring instrument are connected up to the pressure test pump, the same pressure is applied to the two measuring instruments when the pump is operated. By comparing the two measure values at random pressure values, the accuracy can be verified or the unit under test can be adjusted.

The **LR-Cal LPP 08** is a pneumatic pressure test pump for low-pressure ranges up to 8 bar with change-over switch to vacuum down to -850 mbar. Despite its compact dimensions, the pressure test pump is easy to operate and allows for exact generation of the required test pressures. The maximum pressure or vacuum achievable depends on the attached test volume. The smooth-running pressure generation and the integrated fine adjustment valve allow a safe and precise setting of very small positive resp. negative pressure values in the range of mbar.

The unit under test and the reference instrument can be easily connected with the supplied accessories.

**Specification:**

Pressure:	0 to 8 bar = 0 to 116 psi, switchable to
Vacuum:	0 to -0,85 bar = 0 to -25 inHg
Pressure ports:	T-piece to be mounted to the pump, with 1 x hose 0.5 m with pluggable port 1/2" BSP female for reference instrument and 1 x hose 0.5 m with pluggable port 1/4" BSP female for test item. Optional sets of threaded adapters „LPP-ADAPTER-...“ available.
Medium:	Ambient air
Pressure fine adjustm.:	Pressure adjustment valve (very sensitive volume variator)
Volume per stroke:	approx. 7.913 cm ³
Dimensions:	approx. 180 mm length x 111 mm width x 31 mm height (without T-piece)
Weight:	approx. 295 g (without T-piece)

Included in scope of standard delivery:

- Pressure test pump **LR-Cal LPP 08**
- T-piece for direct mounting to the pump, with 2 „Push&Pull“ hose connectors
- 1 x pneum. hose 0.5 m. One side to be plugged to the T-piece, other side with thread 1/2" BSP female, to connect reference pressure instrument/calibrator
- 1 x pneum. hose 0.5 m. One side to be plugged to the T-piece, other side with thread 1/4" BSP female, to connect item under test (optional sets of threaded adapters available)
- Operating manual

Optional accessories:

- Several sets of threaded adapters for connecting items under test
- Carrying- and storage case
- Refence pressure instruments, digital gauges, pressure calibrators, with different functionalities and

Архангельск (8182)63-90-72
Астана (7172)727-132
Астрахань (8512)99-46-04
Барнаул (3852)73-04-60
Белгород (4722)40-23-64
Брянск (4832)59-03-52
Владивосток (423)249-28-31
Волгоград (844)278-03-48
Вологда (8172)26-41-59
Воронеж (473)204-51-73
Екатеринбург (343)384-55-89
Иваново (4932)77-34-06

Ижевск (3412)26-03-58
Иркутск (395)279-98-46
Казань (843)206-01-48
Калининград (4012)72-03-81
Калуга (4842)92-23-67
Кемерово (3842)65-04-62
Киров (8332)68-02-04
Краснодар (861)203-40-90
Красноярск (391)204-63-61
Курск (4712)77-13-04
Липецк (4742)52-20-81

Киргизия (996)312-96-26-47

Магнитогорск (3519)55-03-13
Москва (495)268-04-70
Мурманск (8152)59-64-93
Набережные Челны (8552)20-53-41
Нижний Новгород (831)429-08-12
Новокузнецк (3843)20-46-81
Новосибирск (383)227-86-73
Омск (3812)21-46-40
Орел (4862)44-53-42
Оренбург (3532)37-68-04
Пенза (8412)22-31-16

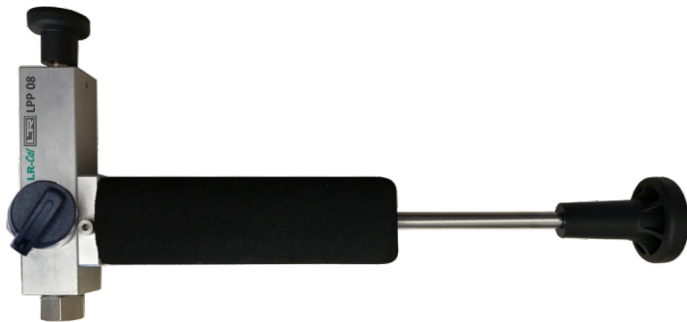
Россия (495)268-04-70

Пермь (342)205-81-47
Ростов-на-Дону (863)308-18-15
Рязань (4912)46-61-64
Самара (846)206-03-16
Санкт-Петербург (812)309-46-40
Саратов (845)249-38-78
Севастополь (8692)22-31-93
Симферополь (3652)67-13-56
Смоленск (4812)29-41-54
Сочи (862)225-72-31
Ставрополь (8652)20-65-13

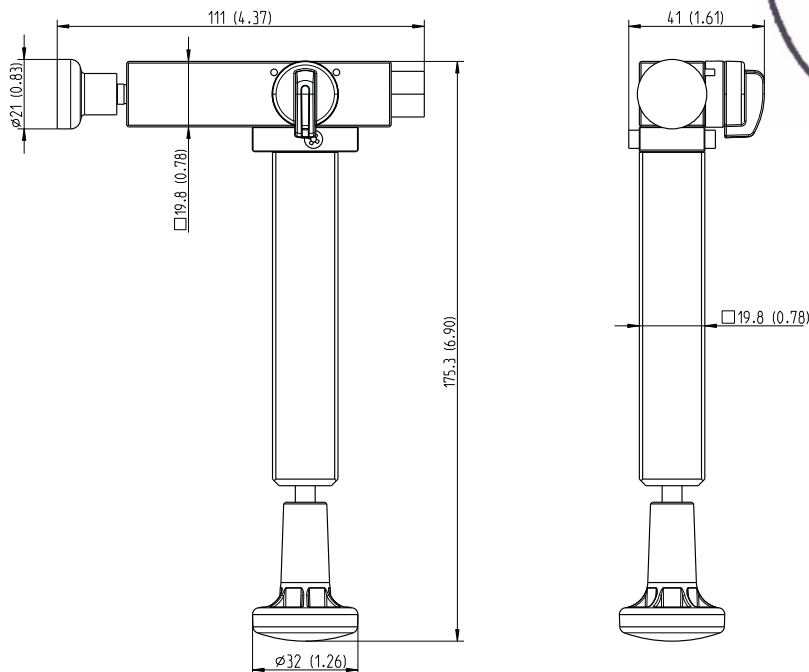
Казахстан (772)734-952-31

Сургут (3462)77-98-35
Тверь (4822)63-31-35
Томск (3822)98-41-53
Тула (4872)74-02-29
Тюмень (3452)66-21-18
Ульяновск (8422)24-23-59
Уфа (347)229-48-12
Хабаровск (4212)92-98-04
Челябинск (351)202-03-61
Череповец (8202)49-02-64
Ярославль (4852)69-52-93

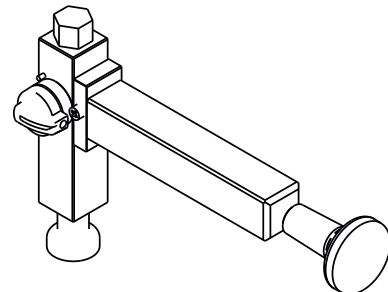
Order-Code	Description / Included in standard delivery
LPP-08	Pressure Test Pump LR-Cal LPP 08 (-0,85...+8 bar) incl. T-piece, 2 hoses 4 x 2 mm, length each 0.5 m 1 Adapter (brass, chromium plated) to 1/2" BSP female and 1 Adapter (brass, chromium plated) to 1/4" BSP female, as well as necessary connectors and operating manual.
LPP-08-PUMPE	Pressure Test Pump LR-Cal LPP 08 (-0,85...+8 bar): OEM version WITHOUT any accessories, just the pump.
Accessories and Spare parts	
LPP-08-KOFFER	Transport and storage case for LR-Cal LPP 08 with foams, with space for accessories and up to two reference pressure instruments (e.g. LR-Cal LDM 80 or LR-Cal LHM or LR-Cal Serie 2000)
LPP-08-T-STUECK	SPARE PART: T-piece for mounting on LR-Cal LPP 08 , with 2 hose connectors (Push&Pull) for hose 4 x 2 mm
LPP-08-PN-STECK	SPARE PART: Hose connector (Push & Pull) for hose 4 x 2 mm, 1/8" BSP male
LPP-08-ADAPT-G12	SPARE PART: Adapter (brass, chromium plated) 1/8" BSP female x 1/2" BSP female (for reference)
LPP-08-ADAPT-G14	SPARE PART: Adapter (brass, chromium plated) 1/8" BSP female x 1/4" BSP female (for test item)
LPP-08-SCHLAUCH-0050	SPARE PART: pneumatic hose 4 x 2 mm, length 0.5 m
SCHLAUCH-02ID-04AD	Pneumatic hose 4 x 2 mm, per meter
LPP-ADAPTER-BSP	Set of BSP adapters and set of spare o-rings, for test item port: 1/4" BSP male x 1/8" BSP female + 3/8" BSP female + 1/2" BSP female + 1/2" BSP male
LPP-ADAPTER-NPT	Set of NPT adapters, for test item port: 1/4" BSP x 1/8" NPT female + 1/4" NPT female + 3/8" NPT female + 1/2" NPT female
LPP-ADAPTER-M	Set of metric adapters and set of spare o-rings, for test item port: 1/4" BSP male x M12x1.5 female + M20x1.5 female + MINIMESS1620
Reference pressure instruments / Pressure calibrators	
LR-Cal LDM 80	Ranges 0...100 mbar, 0...250 mbar, 0...500 mbar, 0...1 bar, 0...2.5 bar, 0...5 bar, 0...10 bar, -1...+1 bar, -1...+2,5 bar or -1...+5 bar, as well as 0...500 mbar abs., 0...1 bar abs., 0...2.5 bar abs. or 0...5 bar abs. Accuracy $\pm 0.2\%$ FS or (with option LDM80-KL01): $\pm 0.1\%$ FS
LR-Cal LHM	Ranges 0...100 mbar, 0...500 mbar, 0...1 bar, 0...2.5 bar, 0...5 bar, -100...+100 mbar, -500...+500 mbar, -1...+1 bar, -1...+2.5 bar or -1...+5 bar, as well as differential pressure Accuracy $\pm 0.1\%$ FS or $\pm 0.05\%$ FS
LR-Cal Serie 2000	Ranges 25 mbar, 130 mbar, 1 bar, 2 bar, 7 bar, or 10 bar pressure, vacuum and differential pressure Accuracy $\pm 0.15\%$ FS $\pm 0,15\%$ of measured value ± 1 Digit



Dimensions mm (inch):



Isometric view



Архангельск (8182)63-90-72
Астана (7172)727-132
Астрахань (8512)99-46-04
Барнаул (3852)73-04-60
Белгород (4722)40-23-64
Брянск (4832)59-03-52
Владивосток (423)249-28-31
Волгоград (844)278-03-48
Вологда (8172)26-41-59
Воронеж (473)204-51-73
Екатеринбург (343)384-55-89
Иваново (4932)77-34-06

Ижевск (3412)26-03-58
Иркутск (395)279-98-46
Казань (843)206-01-48
Калининград (4012)72-03-81
Калуга (4842)92-23-67
Кемерово (3842)65-04-62
Киров (8332)68-02-04
Краснодар (861)203-40-90
Красноярск (391)204-63-61
Курск (4712)77-13-04
Липецк (4742)52-20-81

Киргизия (996)312-96-26-47

Магнитогорск (3519)55-03-13
Москва (495)268-04-70
Мурманск (8152)59-64-93
Набережные Челны (8552)20-53-41
Нижний Новгород (831)429-08-12
Новокузнецк (3843)20-46-81
Новосибирск (383)227-86-73
Омск (3812)21-46-40
Краснодар (861)203-40-90
Орел (4862)44-53-42
Оренбург (3532)37-68-04
Пенза (8412)22-31-16

Россия (495)268-04-70

Пермь (342)205-81-47
Ростов-на-Дону (863)308-18-15
Рязань (4912)46-61-64
Самара (846)206-03-16
Санкт-Петербург (812)309-46-40
Саратов (845)249-38-78
Севастополь (8692)22-31-93
Симферополь (3652)67-13-56
Смоленск (4812)29-41-54
Сочи (862)225-72-31
Ставрополь (8652)20-65-13

Казахстан (772)734-952-31

Сургут (3462)77-98-35
Тверь (4822)63-31-35
Томск (3822)98-41-53
Тула (4872)74-02-29
Тюмень (3452)66-21-18
Ульяновск (8422)24-23-59
Уфа (347)229-48-12
Хабаровск (4212)92-98-04
Челябинск (351)202-03-61
Череповец (8202)49-02-64
Ярославль (4852)69-52-93